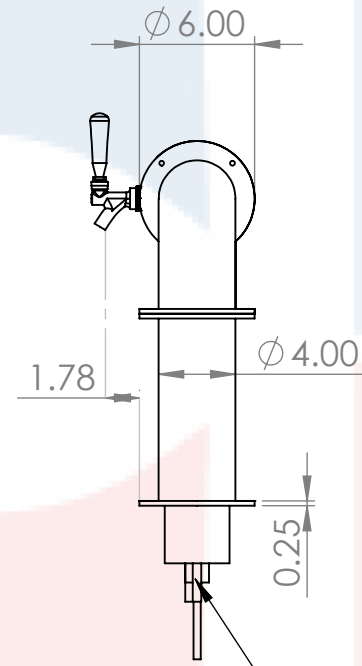
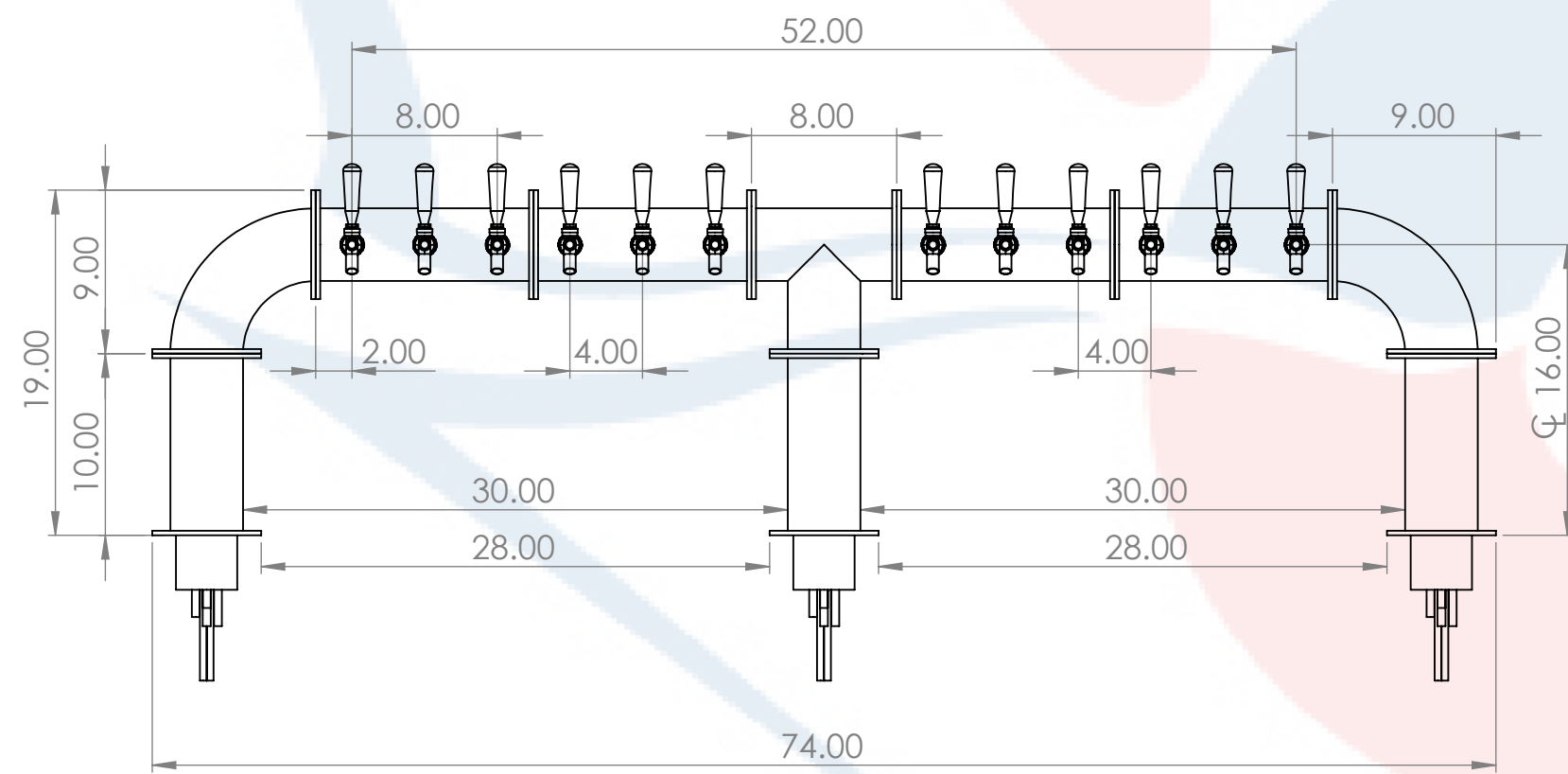
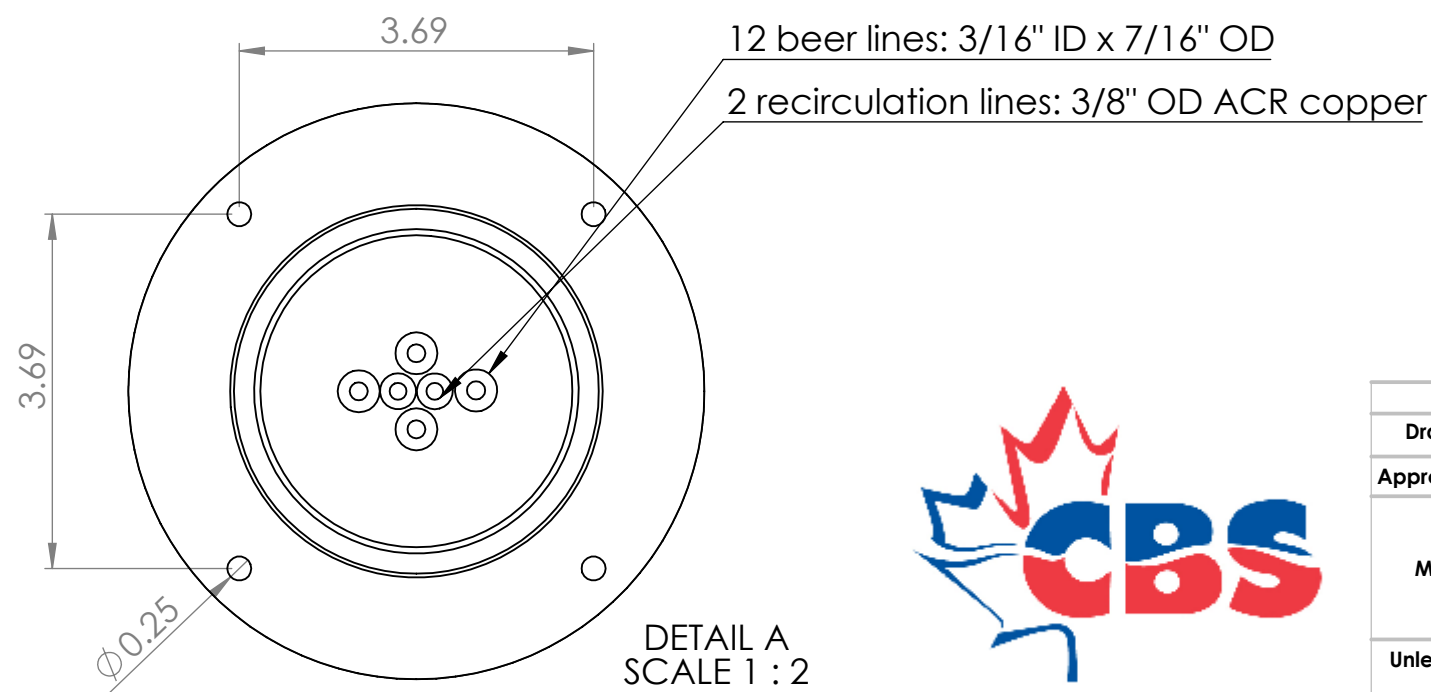
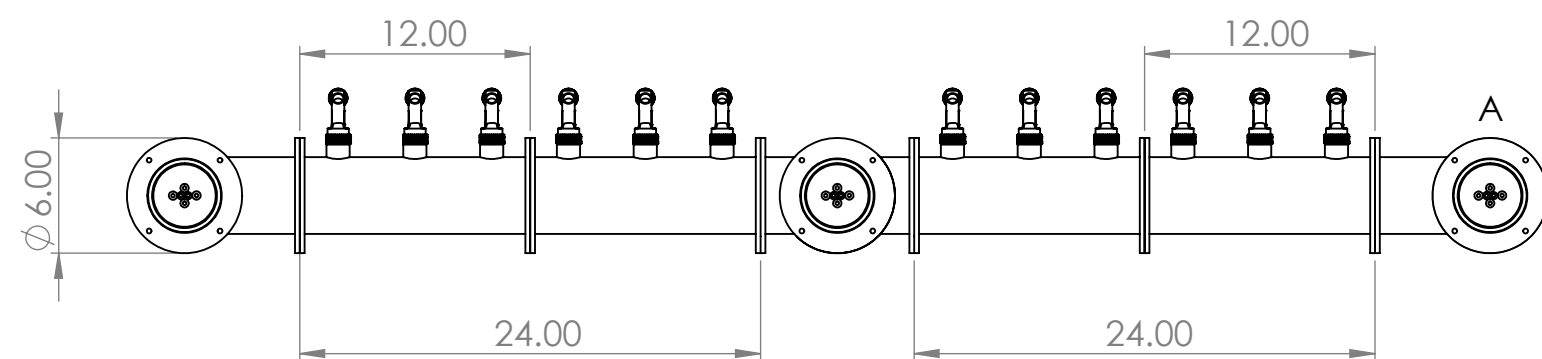


Isometric View
(For reference purpose only)



304SS tube connected to CBS NSF Flexible Total Barrier Tubing to 15lbs of Restriction



DETAIL A
SCALE 1 : 2

Suggested Drip Tray:
2 x BB701324 - 24" x 7" BSS Drip Tray
2 x BB702424 - 24" x 7" BSS Spray Drip Tray



Name		Date		Title:	
Drawn by:	Canadian Beverage Supply Inc.	07/28/2020		4" 12 Tap Lions Gate 3P Tower	
Approved by:	VP Sales			Part Number:	Revision:
Material:	304 SS	Finish:	Polished SS	BB102635-12SSCK	
Unless otherwise mentioned, dimensions are inches				SCALE:	SHEET 1 OF 1
				1:10	